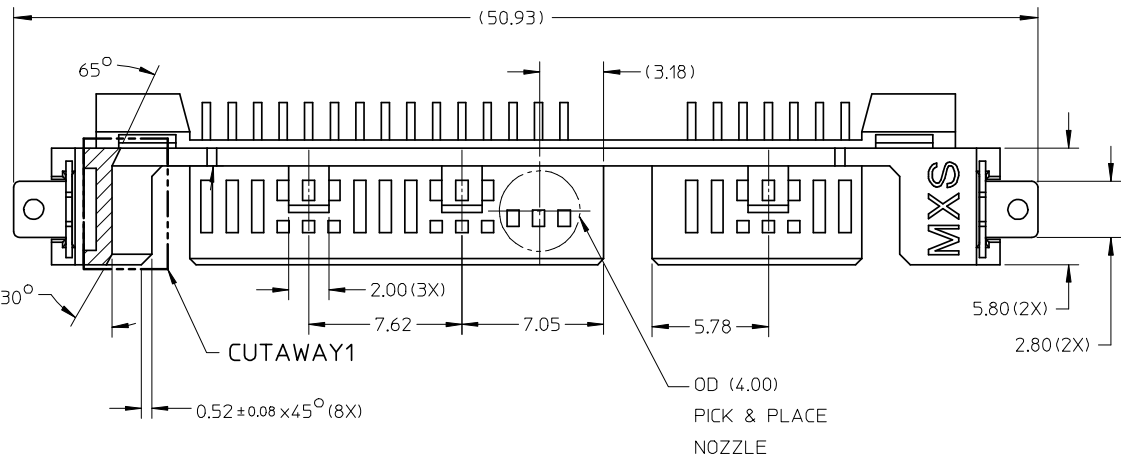
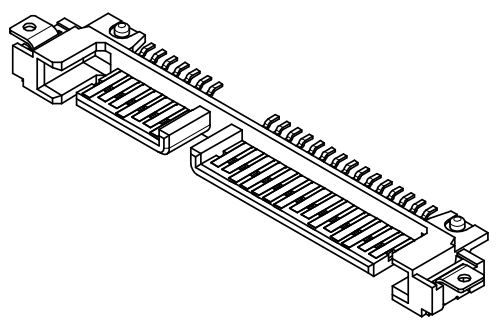
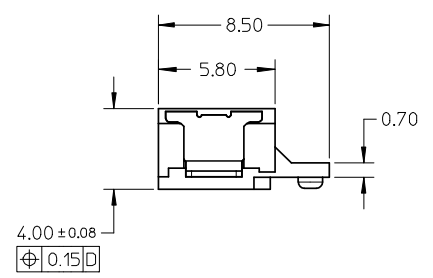
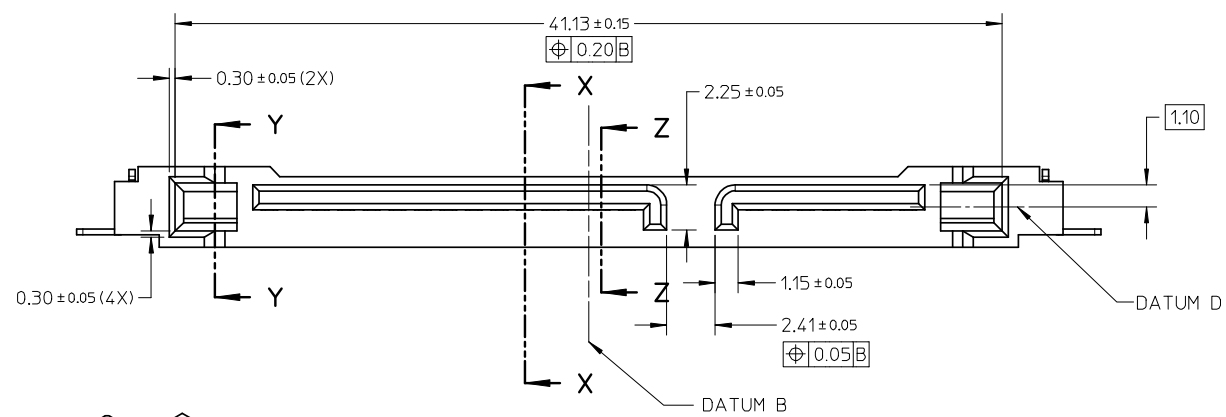


PART NUMBER	PACKAGING
87703-0001	TRAY
87703-0067	TAPE & REEL



- NOTES:
- MATERIAL:
HOUSING: LIQUID CRYSTALLINE POLYMER (LCP), GLASS FILLED
UL 94V-0, COLOR: BLACK
CONTACTS & SMT NAILS: COPPER ALLOY
 - PLATING FINISH ON CONTACTS AND SOLDERTAILS:
0.127µm MIN. GOLD FLASH OVER 1.27µm MIN. NICKEL UNDERPLATE
 - PLATING FINISH ON SMT NAILS:
3.18µm MIN. TIN OVER 1.27µm MIN. NICKEL UNDERPLATE
 - PRODUCT SPECIFICATION: PS-87703-017 APPLIES
 - PRODUCT CONFORMS TO SERIAL ATA SPECIFICATION.
 - PACKAGING: TRAY
 - PRODUCT IS COMPLIANT TO RoHS DIRECTIVE WITH THE FOLLOWING BANNED SUBSTANCES - LEAD, MERCURY, CADMIUM, HEXAVALENT CHROMIUM, POLYBROMINATED BIPHENYLS AND POLYBROMINATED DIPHENYL ETHERS.
 - MATES WITH: SATA RECEPTACLE SERIES: 87678, 87701, 87713, 87779, 87780, 87781
SFF-8482 RECEPTACLE SERIES: 87824, 87839, 87863, 87970



ADD OPTION EC NO: S2008-0978 DRWN:YKOH CHKD:JTAN02 APPR:BOKOK 2008/04/24 2008/04/24 2008/04/24	QUALITY SYMBOLS ▽=0 ◻=0	GENERAL TOLERANCES (UNLESS SPECIFIED)		DIMENSION STYLE MM ONLY		SCALE NTS	DESIGN UNITS METRIC	THIRD ANGLE PROJECTION			
		4 PLACES ± --- ± ---	mm INCH	DRAWN BY RSHAN	DATE 2002/11/18	TITLE SERIAL ATA PLUG 2.5 INCH HDD					
		3 PLACES ± --- ± ---		CHECKED BY KCLING	DATE 2002/12/18						
		2 PLACES ± 0.20 ± ---		APPROVED BY SKTOH	DATE 2002/12/18						
		1 PLACE ± --- ± ---		ANGULAR ± 3 °		MATERIAL NO. SEE TABLE		MOLEX INCORPORATED DOCUMENT NO. SD-87703-002		SHEET NO. 1 OF 4	
DRAFT WHERE APPLICABLE MUST REMAIN WITHIN DIMENSIONS		SIZE A3		THIS DRAWING CONTAINS INFORMATION THAT IS PROPRIETARY TO MOLEX INCORPORATED AND SHOULD NOT BE USED WITHOUT WRITTEN PERMISSION							

10 9 8 7 6 5 4 3 2 1

F

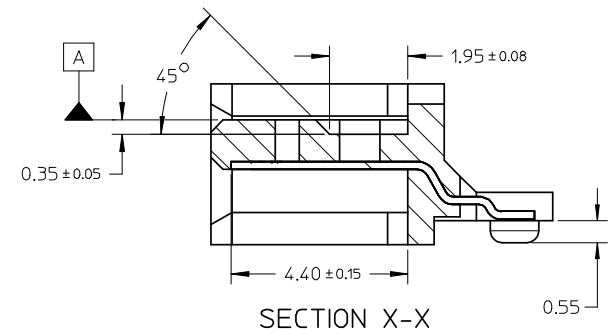
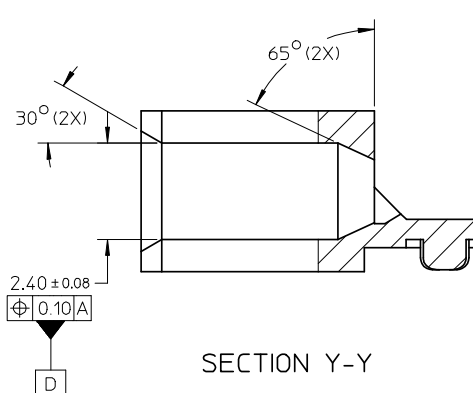
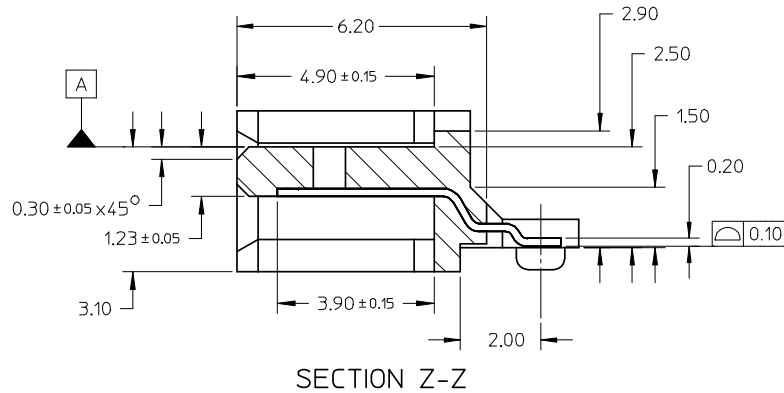
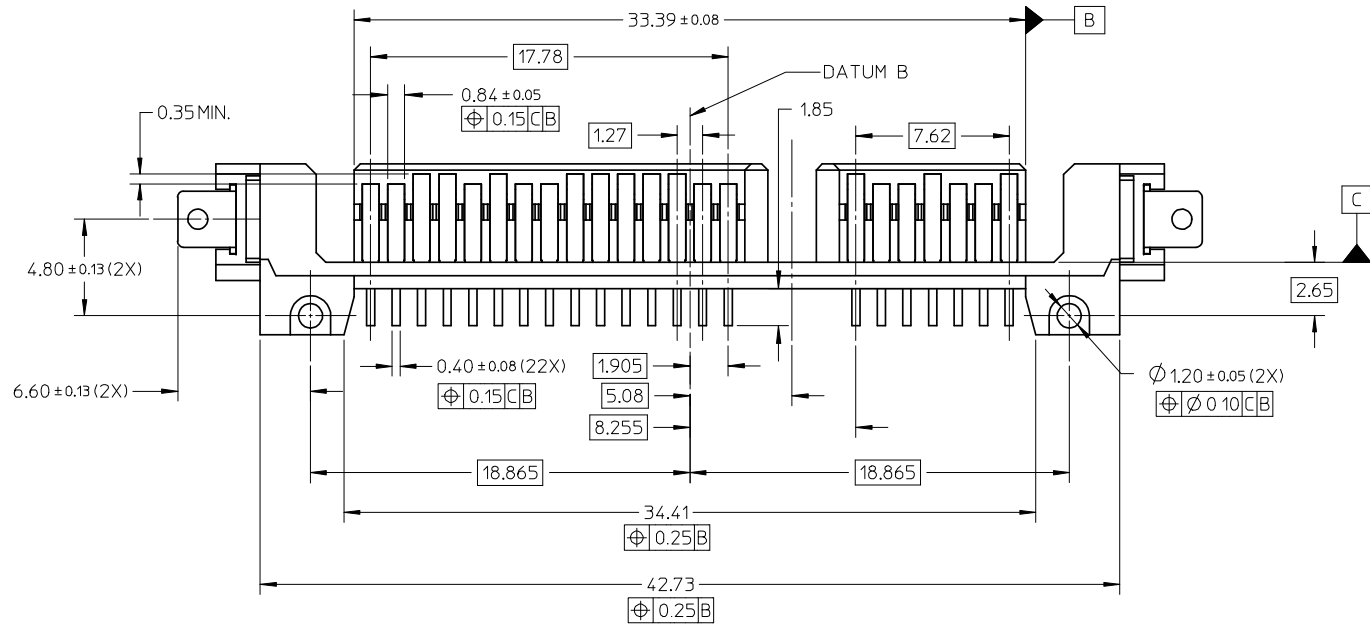
E

D

C

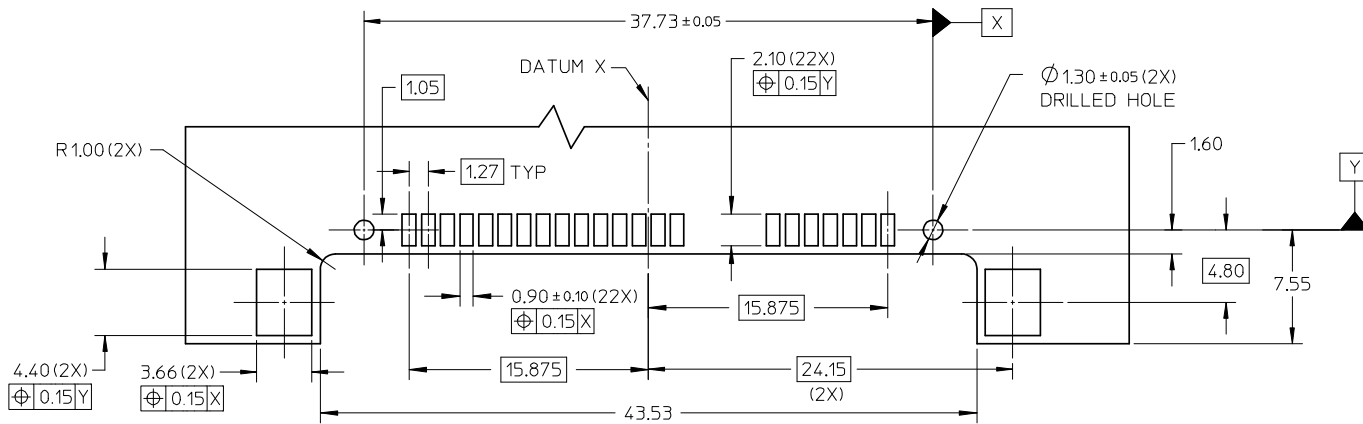
B

A



ADD OPTION EC NO: S2008-0978 DRWN: YKOH CHKD: JTAN02 APPR: BOKOK 2008/04/24 2008/04/24 2008/04/24	QUALITY SYMBOLS ▽ = 0 ▽ = 0	GENERAL TOLERANCES (UNLESS SPECIFIED) mm INCH 4 PLACES ± --- ± --- 3 PLACES ± --- ± --- 2 PLACES ± 0.20 ± --- 1 PLACE ± --- ± --- ANGULAR ± 3°	DIMENSION STYLE MM ONLY DRAWN BY: RSHAN CHECKED BY: KCL ING APPROVED BY: SKTOH DATE: 2002/11/18 DATE: 2002/12/18 DATE: 2002/12/18	SCALE NTS DESIGN UNITS METRIC THIRD ANGLE PROJECTION	TITLE SERIAL ATA PLUG 2.5 INCH HDD
	DRAFT WHERE APPLICABLE MUST REMAIN WITHIN DIMENSIONS	MATERIAL NO. SEE TABLE	MOLEX INCORPORATED DOCUMENT NO. SD-87703-002	SHEET NO. 2 OF 4	
	SIZE A3	THIS DRAWING CONTAINS INFORMATION THAT IS PROPRIETARY TO MOLEX INCORPORATED AND SHOULD NOT BE USED WITHOUT WRITTEN PERMISSION			
	B5	REV	DESCRIPTION	DATE	

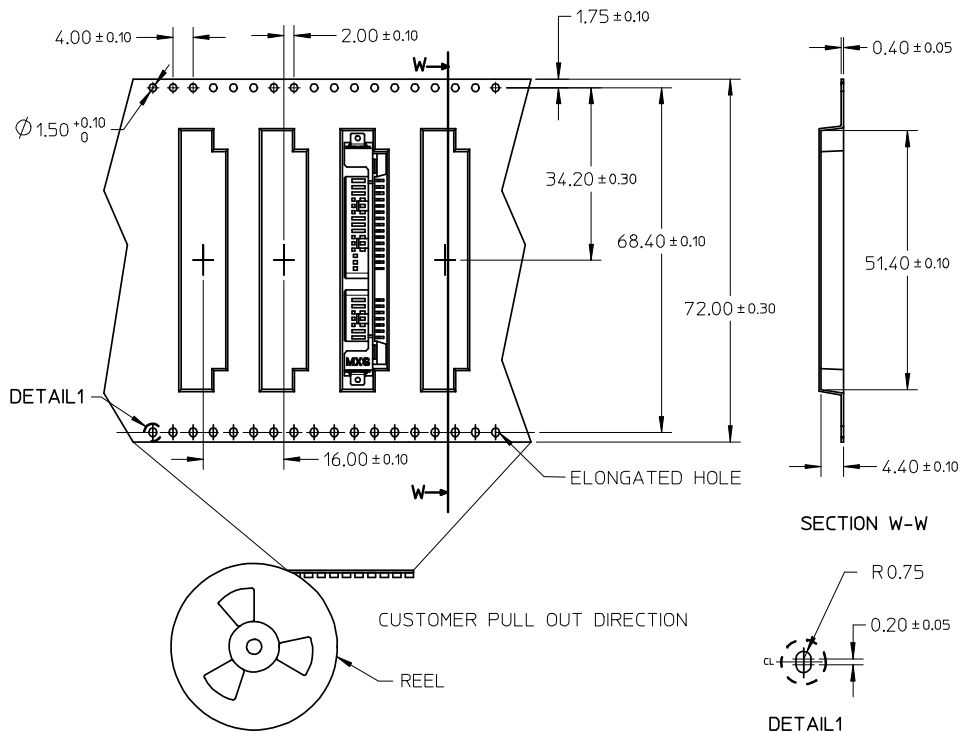
9 8 7 6 5 4 3 2 1



RECOMMENDED PCB LAYOUT
PCB THICKNESS : 0.50±0.08

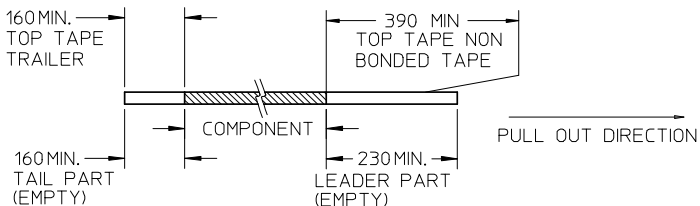
ADD OPTION EC NO: S2008-0978 DRWN:YKOH CHKD:JTAN02 APPR:BOKOK	2008/04/24 2008/04/24 2008/04/24	DESCRIPTION ▽=0 ◻=0	QUALITY SYMBOLS		GENERAL TOLERANCES (UNLESS SPECIFIED)		DIMENSION STYLE MM ONLY		SCALE NTS	DESIGN UNITS METRIC	THIRD ANGLE PROJECTION			
					mm	INCH	DRAWN BY	DATE	TITLE					
					4 PLACES ± ---	± ---	RSHAN	2002/11/18	SERIAL ATA PLUG					
					3 PLACES ± ---	± ---	CHECKED BY	DATE	2.5 INCH HDD					
		2 PLACES ± 0.20	± ---	KCLING	2002/12/18	APPROVED BY								
		1 PLACE ± ---	± ---	SKTOH	2002/12/18	DATE								
		ANGULAR ± 3 °		MATERIAL NO.		SEE TABLE		MOLEX INCORPORATED						
		DRAFT WHERE APPLICABLE MUST REMAIN WITHIN DIMENSIONS		SIZE		THIS DRAWING CONTAINS INFORMATION THAT IS PROPRIETARY TO MOLEX INCORPORATED AND SHOULD NOT BE USED WITHOUT WRITTEN PERMISSION		DOCUMENT NO.		SHEET NO.				
B5				A3				SD-87703-002		3 OF 4				

TAPE & REEL PACKAGING

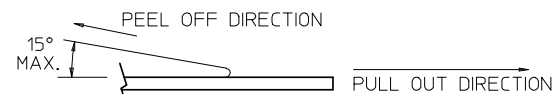


NOTES:

1. LEADER AND TRAILER TAPE

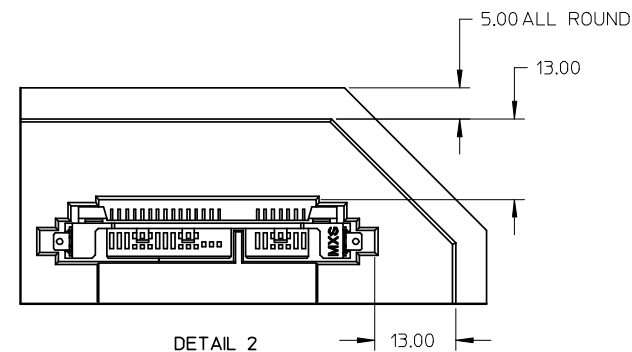
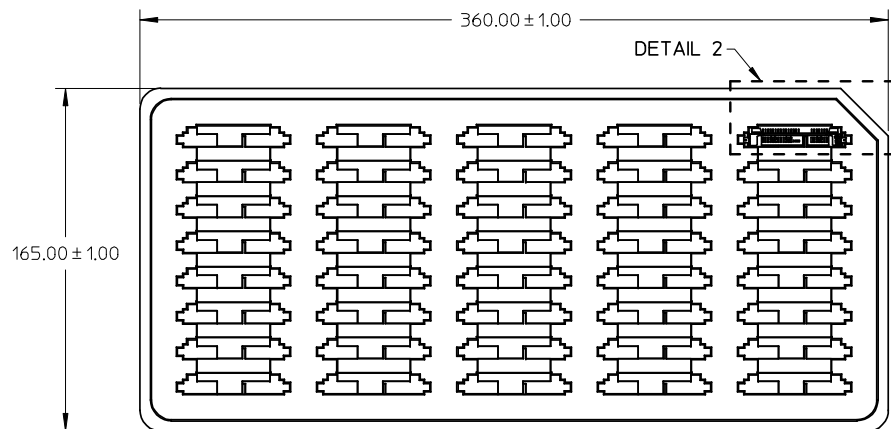


2. PEELING OFF FORCE OF THE TOP TAPE: 20 - 60gf.
(PEELING DIRECTION AS SHOWN IN FOLLOWING FIGURE)



- 3. TAPE AND REEL SPECIFICATION IS AS PER EIA-481.
- 4. TAPE AND REEL QUANTITY : 850 PCS/ REEL.
- 5. THE TAPE IS TREATED FOR ANTI-STATIC.

TRAY PACKAGING



ADD OPTION EC NO: S2008-0978 DRWN:YKOH CHKD:JTAN02 APPR:BOKOK 2008/04/24 2008/04/24 2008/04/24	QUALITY SYMBOLS ▽=0 ◻=0	GENERAL TOLERANCES (UNLESS SPECIFIED) mm INCH 4 PLACES ± --- ± --- 3 PLACES ± --- ± --- 2 PLACES ± 0.20 ± --- 1 PLACE ± --- ± --- ANGULAR ± 3 °	DIMENSION STYLE MM ONLY DRAWN BY: RSHAN CHECKED BY: KCL ING APPROVED BY: SKTOH DATE: 2002/11/18 DATE: 2002/12/18 DATE: 2002/12/18	SCALE NTS TITLE SERIAL ATA PLUG 2.5 INCH HDD	DESIGN UNITS METRIC THIRD ANGLE PROJECTION	MOLEX INCORPORATED DOCUMENT NO. SD-87703-002 SHEET NO. 4 OF 4
	DRAFT WHERE APPLICABLE MUST REMAIN WITHIN DIMENSIONS	SIZE A3	THIS DRAWING CONTAINS INFORMATION THAT IS PROPRIETARY TO MOLEX INCORPORATED AND SHOULD NOT BE USED WITHOUT WRITTEN PERMISSION			
	REV B5	DESCRIPTION	SERIAL ATA PLUG 2.5 INCH HDD			
	ADD OPTION		SERIAL ATA PLUG 2.5 INCH HDD			